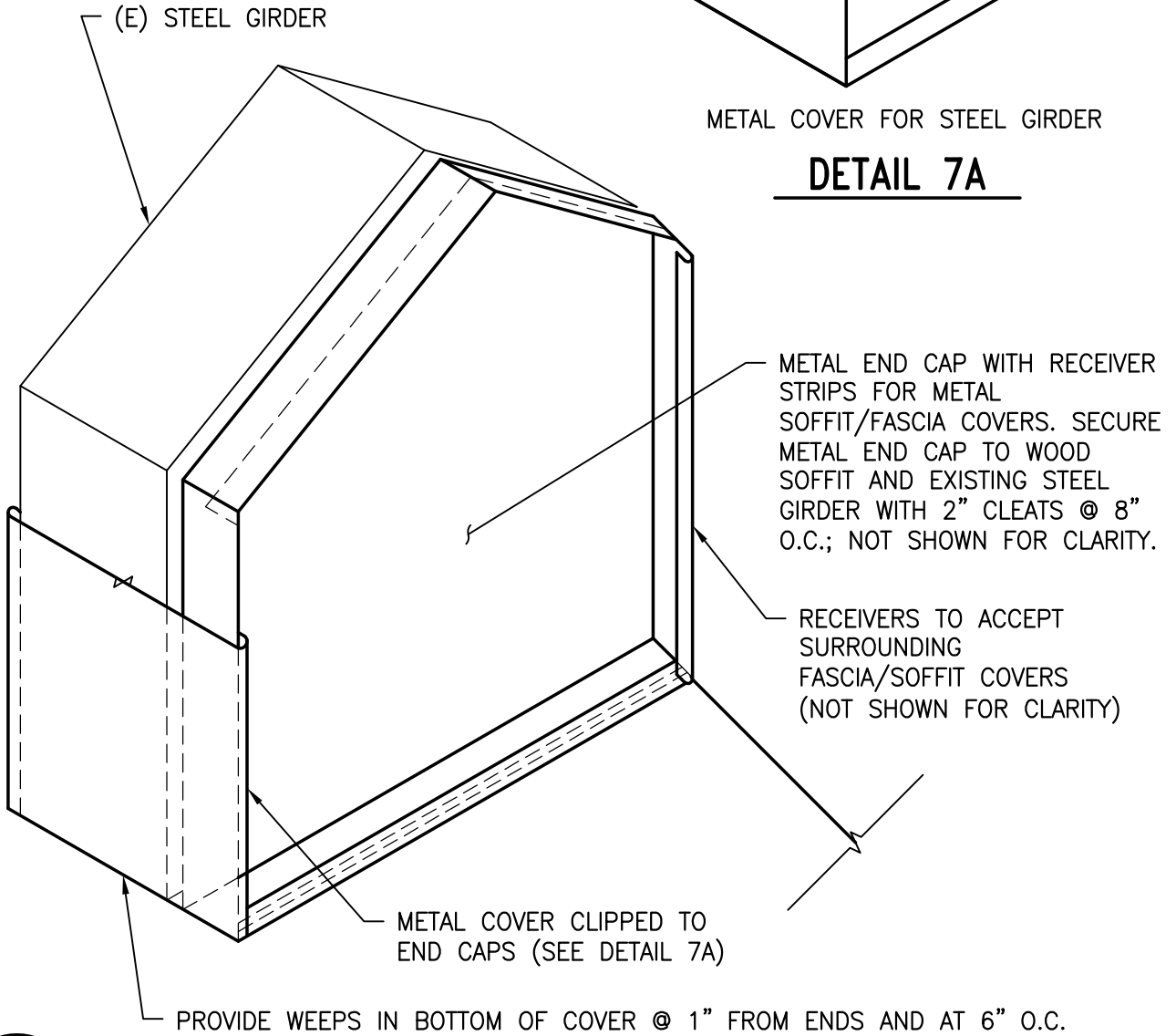


METAL COVER FOR STEEL GIRDER

**DETAIL 7A**



**ALTERNATE NO. 1- METAL COVER AT NORTH SOFFIT**

N.T.S.

**ADDENDUM #1**

**SIMPSON GUMPERTZ & HEGER**

Engineering of Structures  
and Building Enclosures

Simpson Gumpertz & Heger Inc. 781.907.9000  
41 Seyon Street, Building 1, Suite 500 fax: 781.907.9009  
Waltham, Massachusetts 02453 www.sgh.com

**HYNES CONVENTION CENTER  
900 BOYLSTON ST.  
BOSTON, MA.**

Project:

Drawing Title **ALTERNATE NO. 1- METAL COVER AT NORTH SOFFIT**

Proj. 100206.00

Drawn: BJC

Checked: SMR

Date: 08/20/10

Drawing No.:

**SK-7**

Scale: AS NOTED